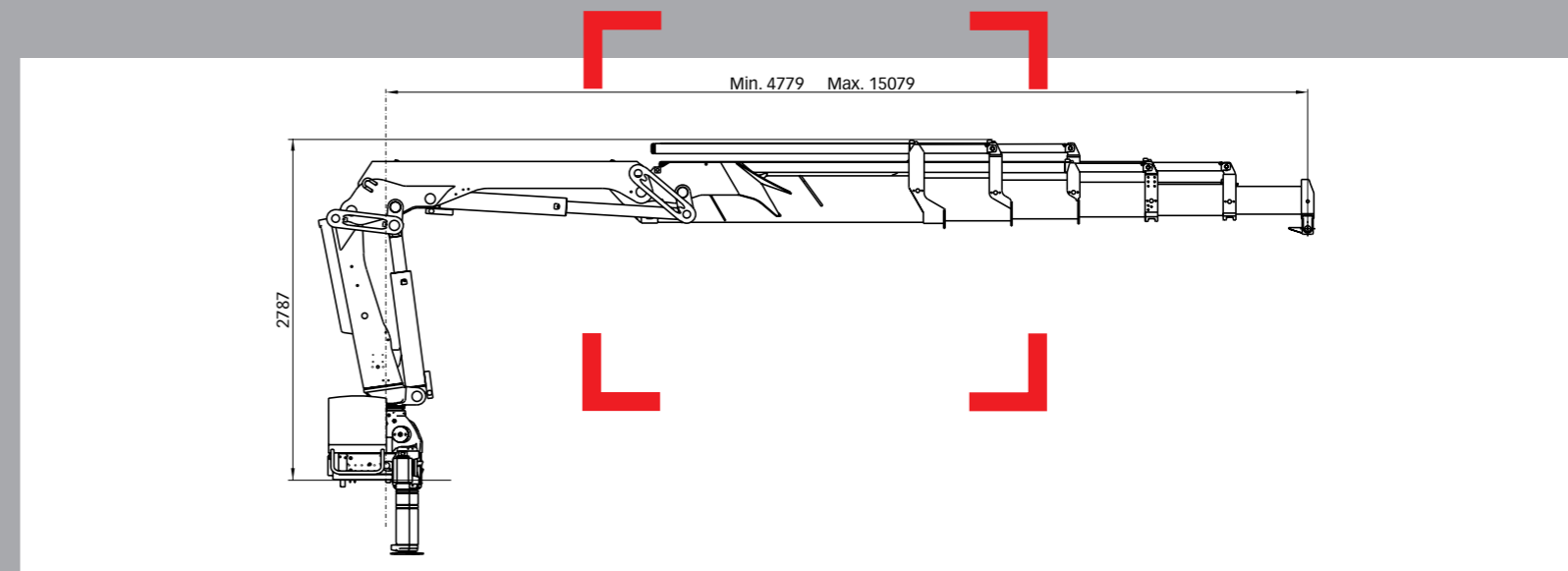
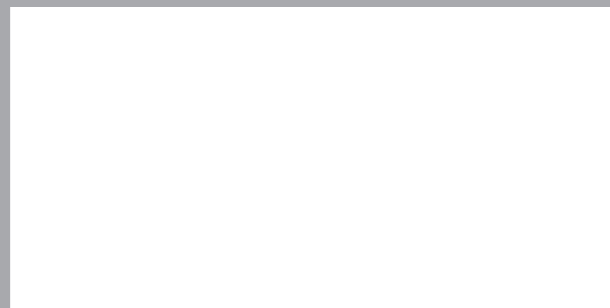


HIAB XS 144 Range 11-14 tm



Basic data

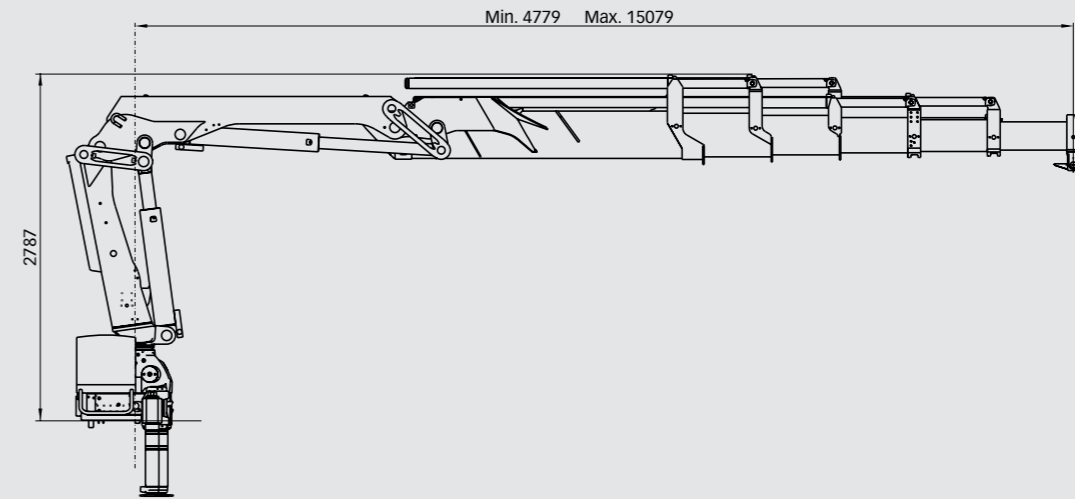


HIAB XS 144 Basic data

Technical data

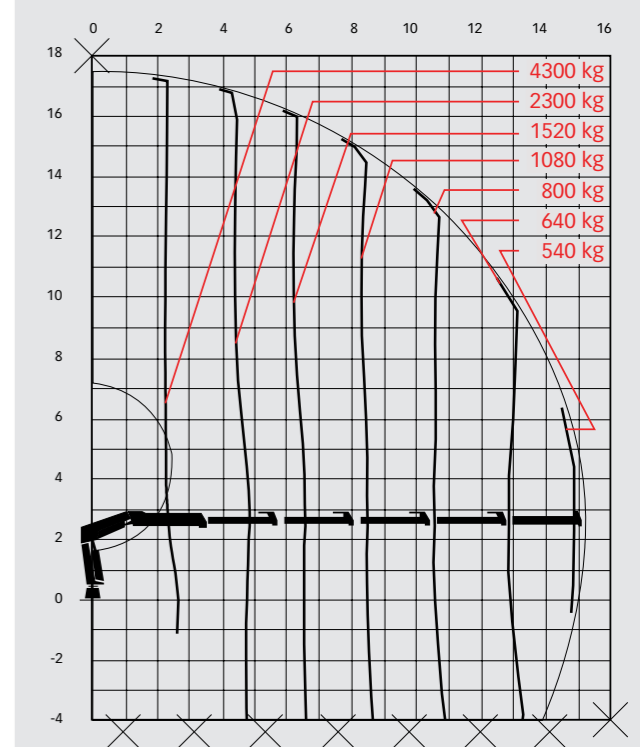
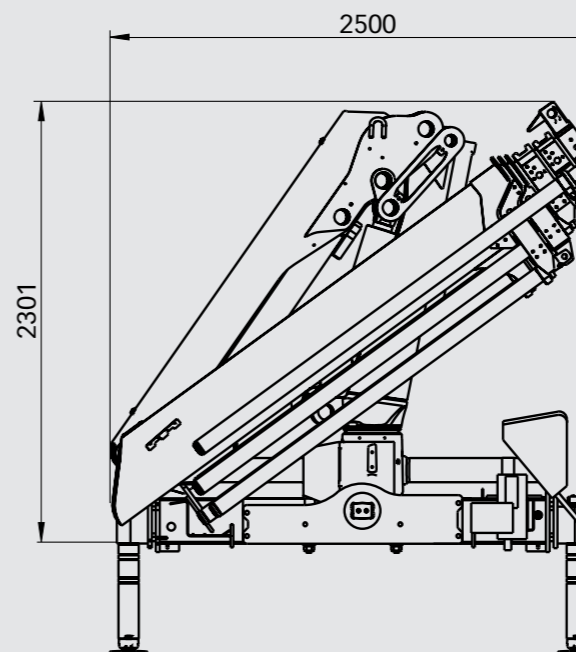
	B-1 CL	B-2 CL	B-3 CL	E-4 CL	E-5 CL
Max. lifting capacity (kNm)	124	123	115	111	110
Outreach - hydraulic extensions (m)	6.3	8.4	10.6	12.8	15.1
Outreach - manual extensions (m)	12.8	12.8	12.8	17.4	17.4
Outreach / lifting capacity (m / kg)	2.8 / 4500	2.8 / 4300	3.0 / 3900	2.5 / 4500	2.6 / 4300
	4.2 / 3000	4.3 / 2800	4.5 / 2600	4.7 / 2400	4.8 / 2300
	6.0 / 2100	6.1 / 1980	6.3 / 1840	6.5 / 1600	6.6 / 1520
	-	8.0 / 1520	8.3 / 1360	8.4 / 1160	8.5 / 1080
	-	-	10.3 / 1080	10.5 / 880	10.6 / 800
	-	-	-	12.7 / 720	12.8 / 640
	-	-	-	-	15.0 / 540
Slewing angle	415°	415°	415°	415°	415°
Height in folded position (mm)	2233	2233	2233	2256	2301
Width in folded position (mm)	2500	2500	2500	2500	2500
Installation space needed (mm)	773	773	861	770	855
Weight - "standard" crane without stabilizers (kg)	1410	1540	1650	2030	2140
Weight - stabilizer equipment (kg)	195 - 366	195 - 366	195 - 366	195 - 366	195 - 366

HIAB XS 144 E-5 CL



Technical data

	B-1 CL	B-2 CL	B-3 CL	E-4 CL	E-5 CL
Max. lifting capacity (ft-lbs)	91170	90880	84660	81620	80890
Outreach - hydraulic extensions	20'8"	27'7"	34'9"	42'0"	49'6"
Outreach - manual extensions	42'0"	42'0"	42'0"	57'1"	57'1"
Outreach / lifting capacity (ft - lbs)	9'2" - 9920	9'2" - 9480	9'10" - 8600	8'2" - 9920	8'6" - 9480
	13'9" - 6610	14'1" - 6170	14'9" - 5730	15'5" - 5290	15'9" - 5070
	19'8" - 4630	20'0" - 4370	20'8" - 4060	21'4" - 3530	21'8" - 3350
	-	26'3" - 3350	27'3" - 3000	27'7" - 2560	27'11" - 2380
	-	-	33'10" - 2380	34'5" - 1940	34'9" - 1760
	-	-	-	41'8" - 1590	42'0" - 1410
	-	-	-	-	49'3" - 1190
Slewing angle	415°	415°	415°	415°	415°
Height in folded position	88"	88"	88"	89"	91"
Width in folded position	98"	98"	98"	98"	98"
Installation space needed	30"	30"	34"	30"	34"
Weight - "standard" crane without stabilizers (lbs)	3110	3400	3640	4480	4720
Weight - stabilizer equipment (lbs)	430 - 810	430 - 810	430 - 810	430 - 810	430 - 810



Disclaimer

Hiab cranes have been built to meet the highest standards of safety and service life and have been thoroughly tested. Strength calculations for this model have been carried out in accordance with EN13001. Hiab's certified Quality Assurance System complies with the ISO 9001. Some of the items in our literature may be extra equipment. Certain applications may require an official permit. We reserve the right to change technical specifications without prior notice. Hiab cranes produced for EU-countries are CE-marked and comply with the European Standard EN 12999.